

FREEWAY TURNSTILE SPEEDBLADE

The «SPEEDBLADE» turnstile is the most compact and «laconic» turnstile of «Freeway» series. The turnstile dimensions, housing materials as well as roundels make the «SPEEDBLADE» look gentle and «light». The turnstile's simplicity, speed and principle of operation along with contemporary appearance make the «SPEEDBLADE» a perfect solution for any sites.



 **30**
pers/min
CROSSING CAPACITY

 **0,8**
sec
OPENING/CLOSING

 **500**
mm
PASSAGE WIDTH

WITH ITS TOP LID VARIATIONS - AMID WHICH ARE WOOD, STEEL
AND EVEN STONE WILL FIT ANY INTERIOR EFFORTLESSLY

Controlled by:

- access control system;
 - manual control
- When power goes OFF both directions are free.

Electrical Specifications:

- Voltage:
 - from the AC (100-240)V, 50/60Hz;
 - from a DC source 12 V
- Maximum power consumption
155 W per pass;
- Degree of protection according to
GOST 14254-96 - IP41

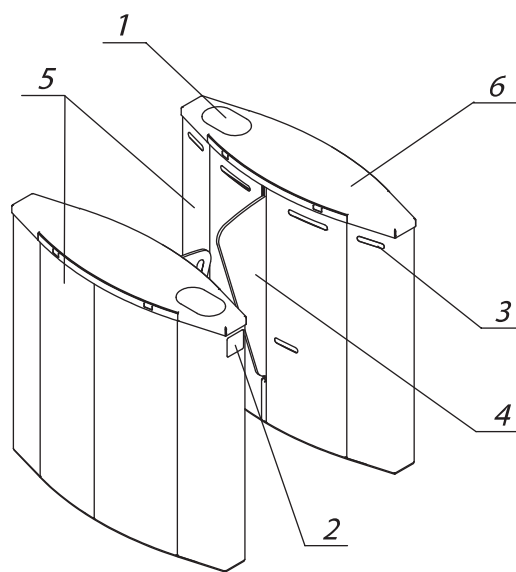
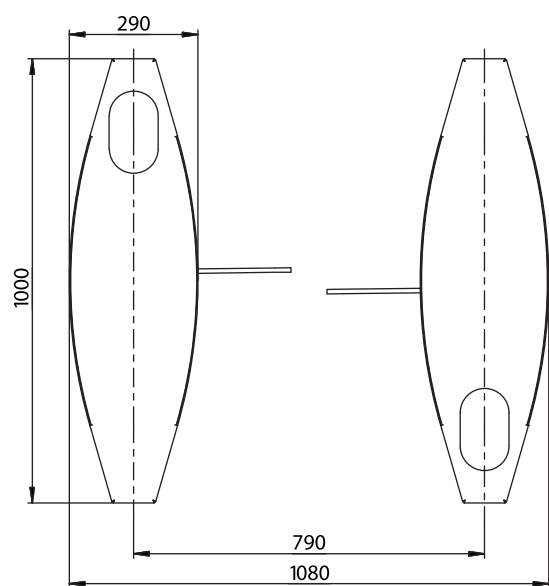
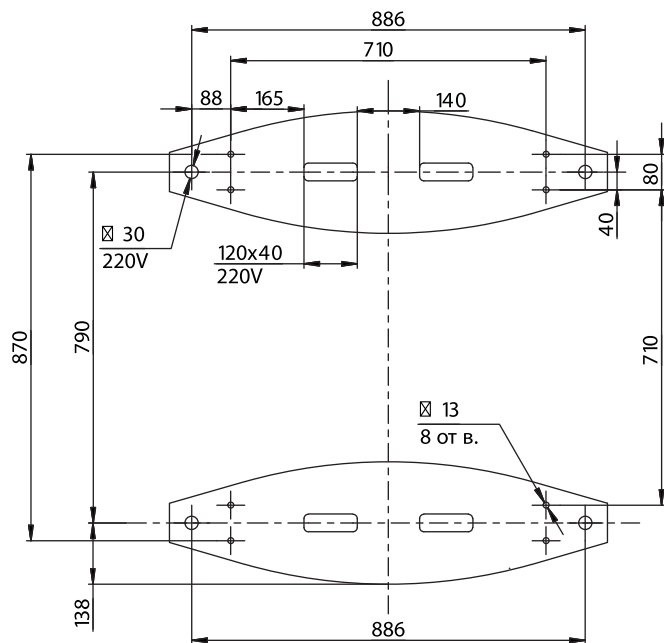
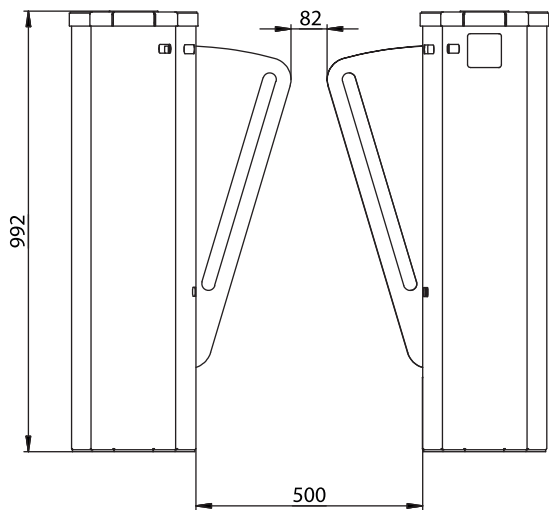
Technical Specifications:

Length	Single pass - 1080 mm Two-pass - 1870 mm
Width	1000 mm
Height	992 mm
Weight, not more	Single pass - 202 kg Two-pass - 324 kg

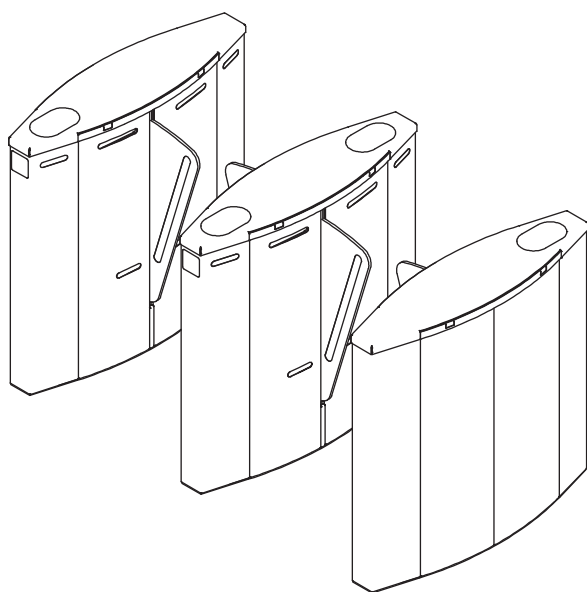


www.tiso.global
+380 (44) 291-21-11
e-mail: export@tiso.ua





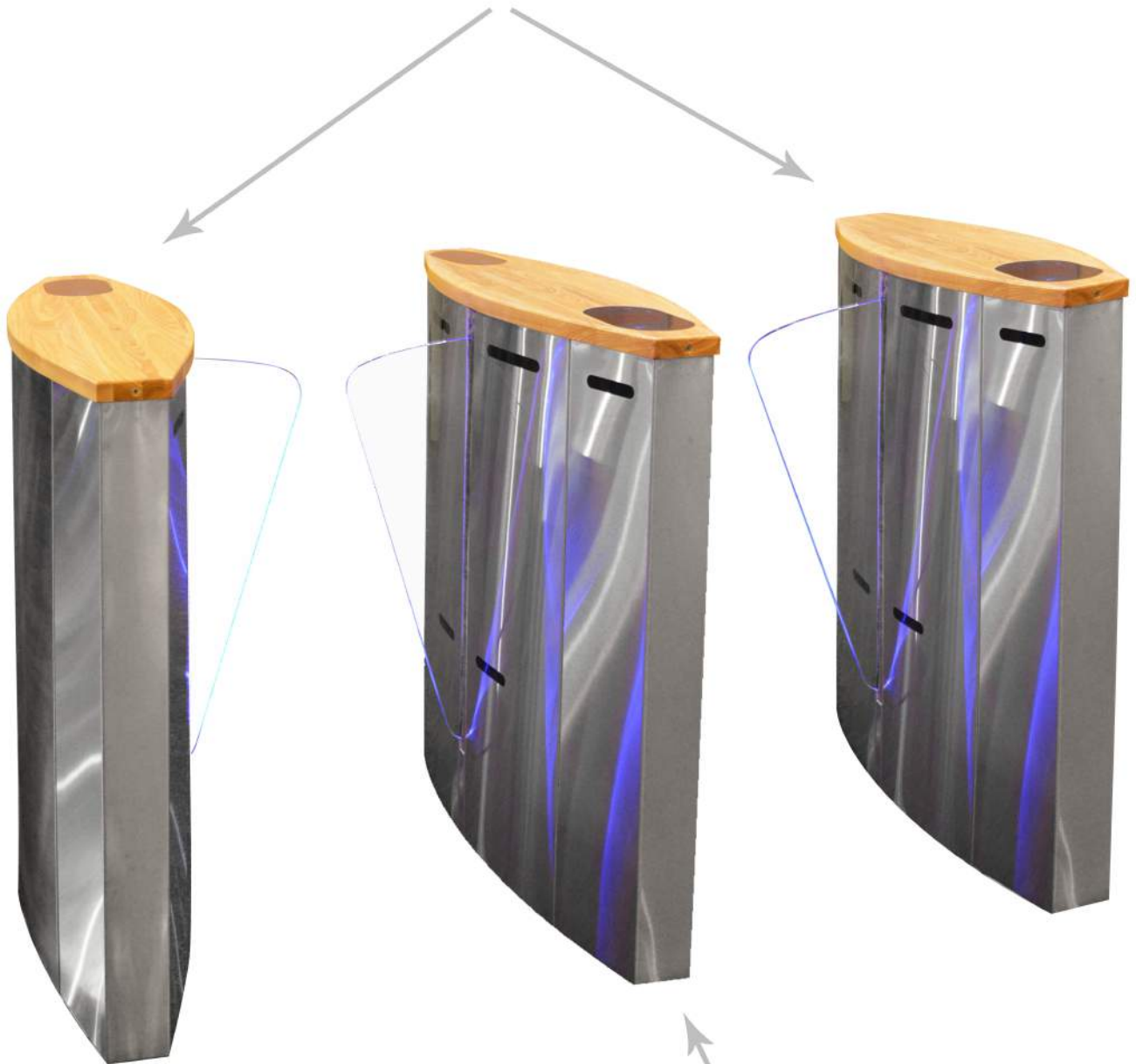
- 1 - card reader and LED display;
- 2 - LED display;
- 3 - access sensors;
- 4 - glass leaf;
- 5 - turnstile housing;
- 6 - cover



www.tiso.global
 +380 (44) 291-21-11
 e-mail: export@tiso.ua



SPEEDBLADE - 1



SPEEDBLADE - 2



www.tiso.global
+380 (44) 291-21-11
e-mail: export@tiso.ua





References

- Meat Plant, Stavropol kray, Russia;
- Technoimage LTD office, Dar Es Salaam, Tanzania;
- Business center "Eleven", Kiev, Ukraine;
- Kiev Historical Museum, Kiev, Ukraine;
- "Gulliver" business center, Kiev, Ukraine;
- Projects in Israel, Morocco, Romania



www.tiso.global
 +380 (44) 291-21-11
 e-mail: export@tiso.ua

